



Table with top made of solid wood, consisting of two single planks with natural sides joined through a refined central resin filling. Walnut combined with transparent resin and oak combined with black resin. Base in iron plate characterised by geometric lines.

STANDARD VERSION: NATURAL IRON BASE, MATT TRANSPARENT LACQUERED (B2)
 WALNUT WITH KNOTS TOP + TRANSPARENT RESIN
 OAK WITH KNOTS TOP + BLACK RESIN

CODE	SIZE	A1	A2
BEDROCK-PLANK 1.DIR RESIN	W.220 x D.90/100 x H.76	■	■
BEDROCK-PLANK 2.DIR RESIN	W.240 x D.90/100 x H.76	■	■
BEDROCK-PLANK 3.DIR RESIN	W.260 x D.90/100 x H.76	■	■
BEDROCK-PLANK 4.DIR RESIN	W.280 x D.90/100 x H.76	■	■
BEDROCK-PLANK 5.DIR RESIN	W.300 x D.90/100 x H.76	■	■

AVAILABLE FINISHES:

A1: walnut with knots

A2: oak with knots

FEASIBILITY LACQUERED IRON BASE	
B2	■
B3	■

AVAILABLE FINISHES:

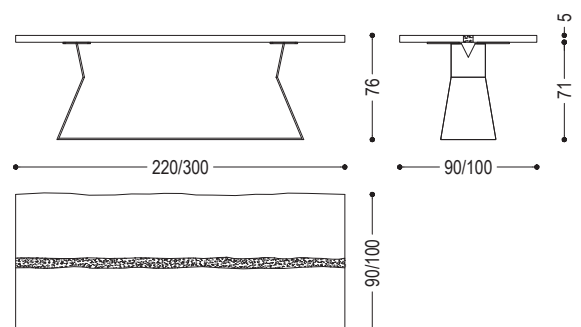
B2: lacquered iron: matt transparent, iron dust, RAL (only selected colours)

B3: lacquered iron matt brushed effect: aged copper, aged bronze, stainless steel, titanium
 lacquered iron oxidised effect

DETAIL: TOP IN WALNUT WITH KNOTS AND TRANSPARENT RESIN



DETAIL: TOP IN OAK WITH KNOTS AND BLACK RESIN



BEDROCK PLANK C RESIN | AVAILABLE FINISHES

WOOD



IRON

