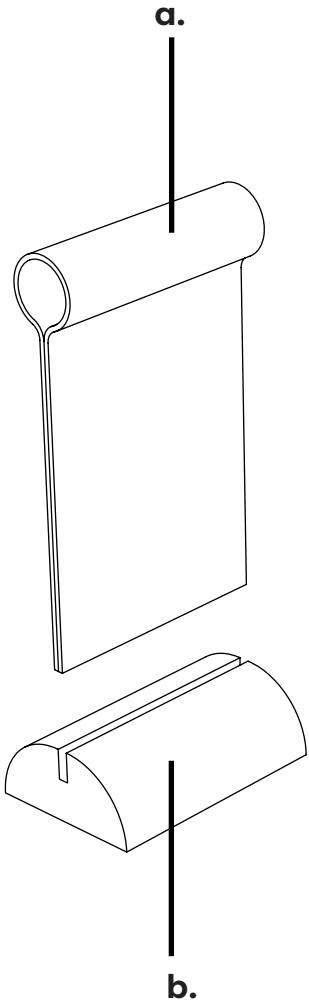


components

- a. base
- b. photo holder

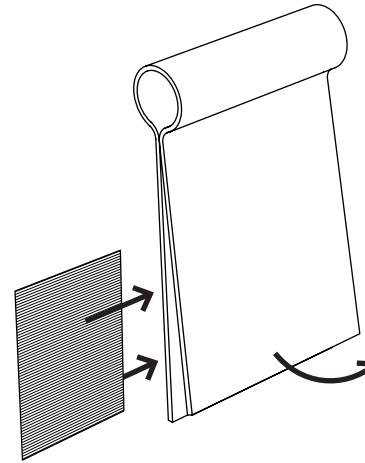


installation & maintenance

*To clean, just use a soft, damp cloth.
To preserve the lustre of marble,
clean the surfaces daily with neutral
soap diluted in warm water.
Use products free of aggressive
substances such as alcohol,
ammonia or similar.
The use of these substances would
cause cracks inside the material.
Antistatic detergents are preferred.*

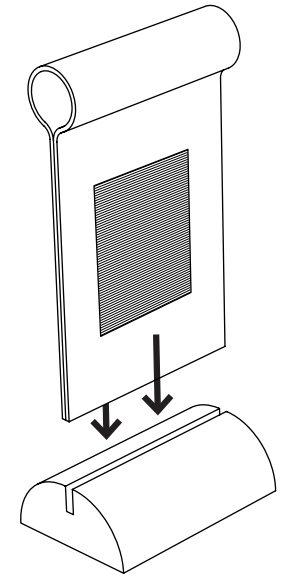
1 _____

Open the lower part of the photo holder gently and place a photo in the middle.



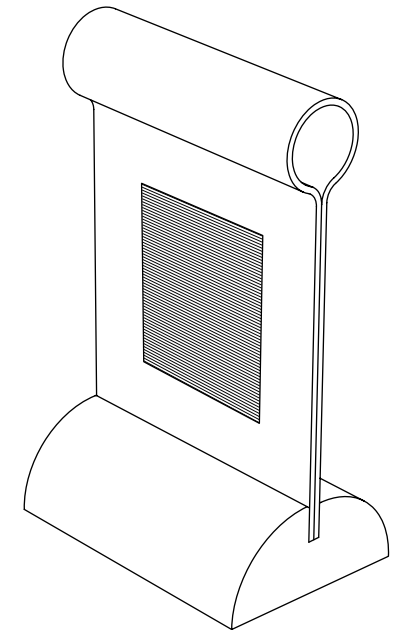
2 _____

Insert the photo holder in the base.



3 _____

Your photo holder is ready.



about

use	<i>indoor</i>
typology	<i>small photo holder</i>
year	<i>1968</i>
dimension	<i>13 x 10 x 28 [h] cm</i>
materials	<i>base in marble, photo holder in plexiglas</i>

warning

⚠ *If exposed to direct sunlight, the materials used in this product may show a natural chromatic variation.*

⚠ *Poltronoa will not be liable for products that are modified or used improperly.*

⚠ *Poltronoa will replace merchandise with manufacturing defects only if the appliance is intact in all its parts and provided with the original or equivalent packaging.*

poltronoa



**Centro Studi Poltronoa
per il design srl**
via Lorenzo Bartolini 2,
50124 Firenze – Italy
www.poltronoa.it
info@poltronoa.it

Ofelia

instructions