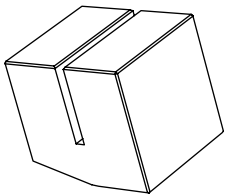
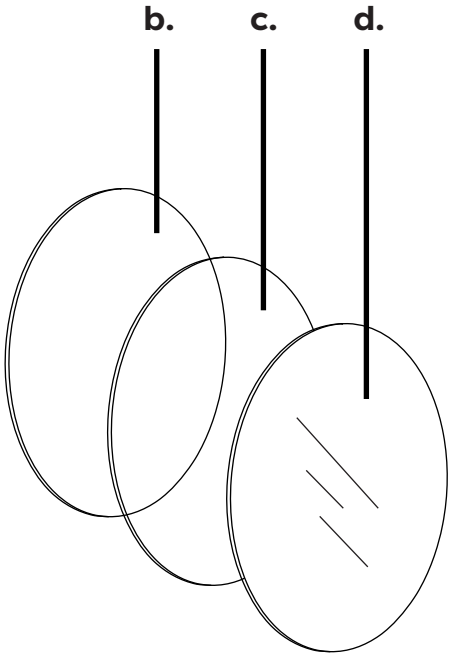


# components

- a. base
- b. white panel
- c. fluo orange/magenta panel
- d. mirror

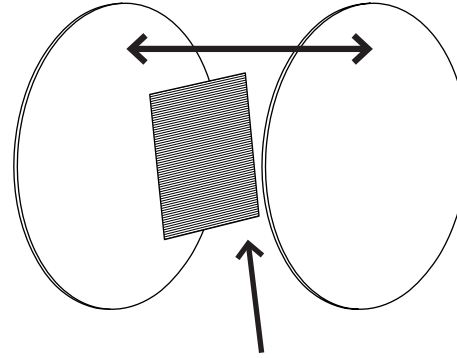


# installation & maintenance

*To clean, just use a soft, damp cloth.  
To preserve the lustre of marble,  
clean the surfaces daily with neutral  
soap diluted in warm water.  
Use products free of aggressive  
substances such as alcohol,  
ammonia or similar.  
The use of these substances would  
cause cracks inside the material.  
Antistatic detergents are preferred.*

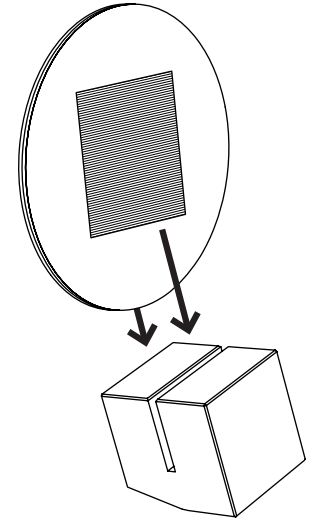
## 1

*Place a photo between the white  
panel and the fluo panel.*



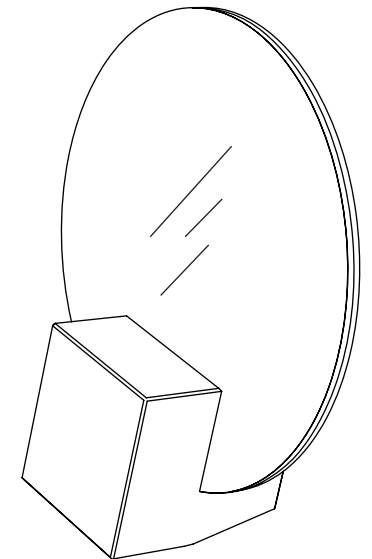
## 2

*Insert the two panels in the  
base to complete the photo holder.*



## 3

*Keeping the white panel as support,  
change the mirror with the fluo  
orange/magenta panel, to turn  
the photo holder into a mirror.*



# about

<b>use</b>	<i>indoor</i>
<b>typology</b>	<i>small mirror/ photo holder</i>
<b>year</b>	<i>1968</i>
<b>dimension</b>	<i>20 x 7 x 25 [h] cm</i>
<b>materials</b>	<i>base in marble, photo holder panels in opaque white and transparent fluo orange/magenta plexiglas, acrylic mirror</i>

# warning

⚠ *If exposed to direct sunlight, the materials used in this product may show a natural chromatic variation.*

⚠ *Poltronoa will not be liable for products that are modified or used improperly.*

⚠ *Poltronoa will replace merchandise with manufacturing defects only if the appliance is intact in all its parts and provided with the original or equivalent packaging.*

# poltronoa



**Centro Studi Poltronoa  
per il design srl**  
via Lorenzo Bartolini 2,  
50124 Firenze – Italy  
[www.poltronoa.it](http://www.poltronoa.it)  
[info@poltronoa.it](mailto:info@poltronoa.it)

# Vanitas

*instructions*